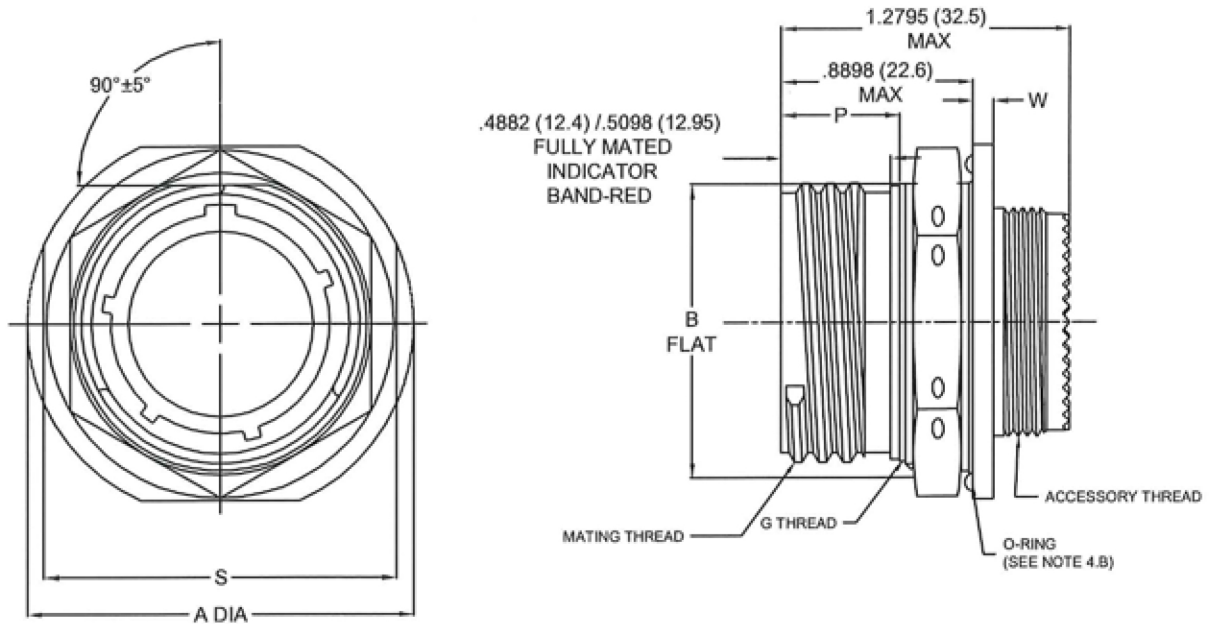


# D38999/24

MIL-DTL-38999 SERIES III



| SHELL SIZE | SHELL SIZE CODE | A DIA<br>±0.012 | B FLAT<br>+0.10<br>-0.15 | G THREAD                          | P<br>+0.6<br>-0.0 | S<br>±0.04      | W<br>+0.035<br>-0.004 | Recommended O-ring<br>SAE-AS3582<br>(see note 4.D) |
|------------|-----------------|-----------------|--------------------------|-----------------------------------|-------------------|-----------------|-----------------------|--|
| 9          | A               | 1.189<br>(30.2) | .651<br>(16.53)          | M17x1-6g 0.100R                   | .555<br>(14.1)    | 1.063<br>(27.0) | .087<br>(2.2)         | -019   |
| 11         | B               | 1.374<br>(34.9) | .751<br>(19.07)          | M20x1-6g 0.100R                   | .555<br>(14.1)    | 1.252<br>(31.8) | .087<br>(2.2)         | -022   |
| 13         | C               | 1.500<br>(38.1) | .938<br>(23.82)          | M25x1-6g 0.100R                   | .555<br>(14.1)    | 1.374<br>(34.9) | .087<br>(2.2)         | -024   |
| 15         | D               | 1.626<br>(41.3) | 1.062<br>(26.97)         | M28x1-6g 0.100R                   | .555<br>(14.1)    | 1.500<br>(38.1) | .087<br>(2.2)         | -026   |
| 17         | E               | 1.752<br>(44.5) | 1.187<br>(30.15)         | M32x1-6g 0.100R<br>(see note 4.B) | .555<br>(14.1)    | 1.626<br>(41.3) | .087<br>(2.2)         | -028   |
| 19         | F               | 1.937<br>(49.2) | 1.312<br>(33.32)         | M35x1-6g 0.100R                   | .555<br>(14.1)    | 1.811<br>(46.0) | .118<br>(3.0)         | -128   |
| 21         | G               | 2.063<br>(52.4) | 1.437<br>(36.50)         | M38x1-6g 0.100R                   | .555<br>(14.1)    | 1.937<br>(49.2) | .118<br>(3.0)         | -130   |
| 23         | H               | 2.189<br>(55.6) | 1.562<br>(39.67)         | M41x1-6g 0.100R                   | .555<br>(14.1)    | 2.063<br>(52.4) | .118<br>(3.0)         | -132   |
| 25         | J               | 2.311<br>(58.7) | 1.687<br>(42.85)         | M44x1-6g 0.100R                   | .555<br>(14.1)    | 2.189<br>(55.6) | .118<br>(3.0)         | -134   |

TOLERANCE  
XX ± .010  
.XXX ± .005  
ANGLES ± 1°

TITLE  
CONNECTORS, ELECTRICAL, CIRCULAR, RECEPTACLE,  
THREADED, REMOVABLE CRIMP CONTACTS, SERIES III,  
MIL-DTL-38999/24

SHEET  
1 OF 1

DWG. NO.  
D38999/24

REV  
-

<http://www.corsairelectricalconnectors.com> (949) 833-0273