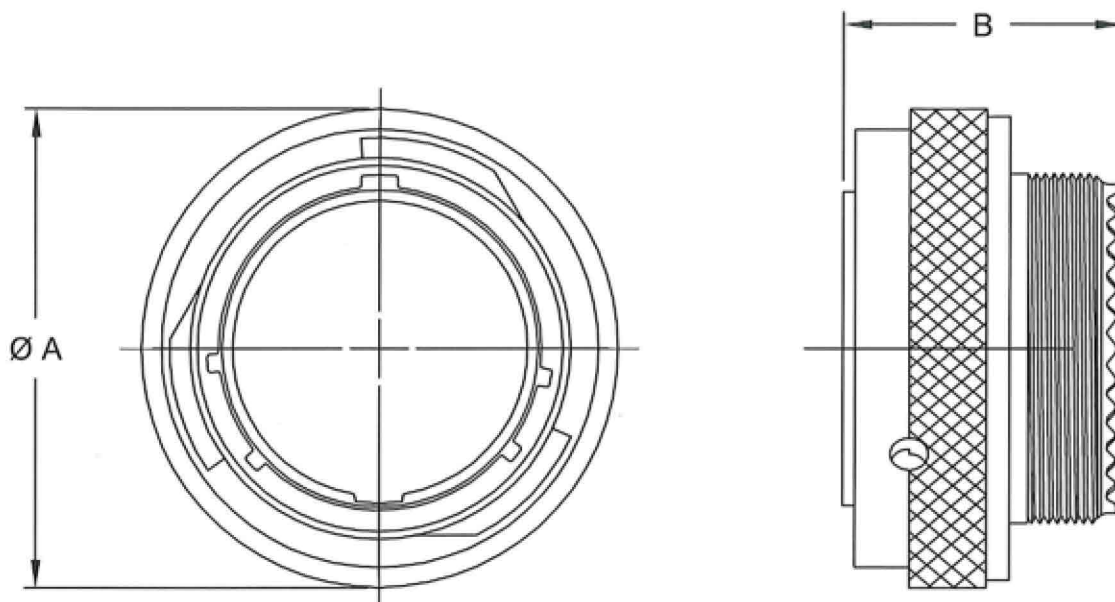


# MS27467

MIL-DTL-38999 SERIES I



| Shell Size | A<br>Dia.<br>Max. | B<br>(Class E) | B<br>(Class P) | B<br>(Class T) |
|------------|-------------------|----------------|----------------|----------------|
| 9          | .859              | 1.234          | 1.671          | 1.234          |
| 11         | .984              | 1.234          | 1.671          | 1.234          |
| 13         | 1.156             | 1.234          | 1.671          | 1.234          |
| 15         | 1.281             | 1.234          | 1.671          | 1.234          |
| 17         | 1.406             | 1.234          | 1.671          | 1.234          |
| 19         | 1.516             | 1.234          | 1.671          | 1.234          |
| 21         | 1.641             | 1.234          | 1.766          | 1.234          |
| 23         | 1.766             | 1.234          | 1.766          | 1.234          |
| 25         | 1.891             | 1.234          | 1.766          | 1.234          |

TOLERANCE  
XX ± .010  
.XXX ± .005  
ANGLES ± 1°

TITLE  
CONNECTORS, ELECTRICAL, PLUG, STRAIGHT, BAYONET  
COUPLING, CRIMP CONTACTS, SERIES I, MIL-DTL-38999

SHEET  
1 OF 1

DWG. NO.  
MS27467

REV  
-

<http://www.corsairelectricalconnectors.com> (949) 833-0273