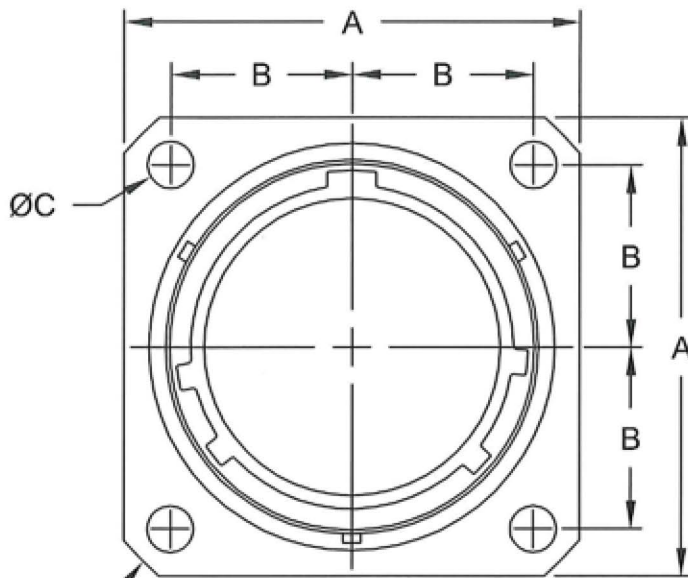
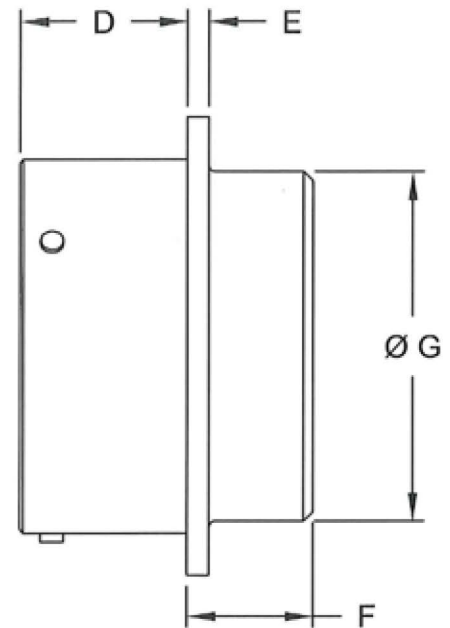


# MS27505

MIL-DTL-38999 SERIES I



CHAMFERED OR  
ROUNDED (4 PLACES)



Shell Size	A ±.020	B	C Dia. +.010 -0.005	D +.000 -.005	E +.015 -.000	F Max.	G Dia. Max.
9	.938	.3595	.128	.820	.085	.219	.547
11	1.031	.406	.128	.820	.085	.219	.656
13	1.125	.453	.128	.820	.085	.219	.828
15	1.219	.4845	.128	.820	.085	.219	.953
17	1.312	.531	.128	.820	.085	.219	1.078
19	1.438	.578	.128	.820	.085	.219	1.203
21	1.562	.625	.128	.790	.115	.250	1.328
23	1.688	.6875	.128	.790	.115	.250	1.453
25	1.812	.750	.147	.790	.115	.250	1.578

TOLERANCE  
XX ± .010  
.XXX ± .005  
ANGLES ± 1°

TITLE  
CONNECTORS, ELECTRICAL, RECEPTACLE, BACK PANEL,  
BOX MOUNT, FLANGE, BAYONET COUPLING, CRIMP  
CONTACTS, MIL-DTL-38999, SERIES I

SHEET  
1 OF 1

DWG. NO.  
MS27505

REV  
-

<http://www.corsairelectricalconnectors.com> (949) 833-0273