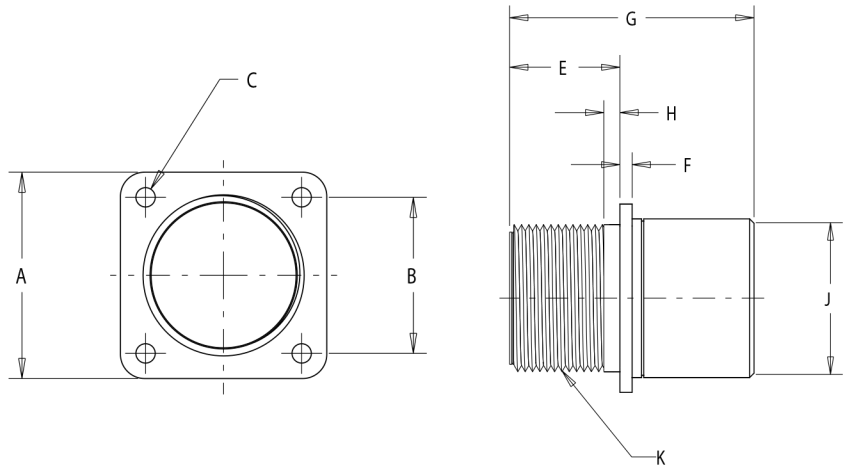
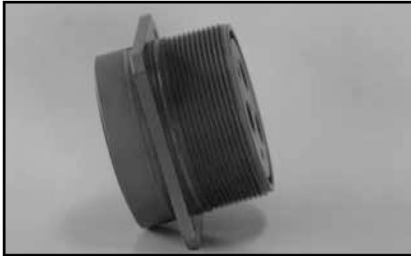


MS3452

MIL-DTL-5015 SERIES III



MS3452 RECEPTACLE, BOX MOUNT



Shell Size	A ± .031	B T.P. ± .005	C + .010 - .005	E + .031 - .000	F ± .015	G Max. Contact Size		H Max. Front Rear		J ± .016	K Coupling Thread Class 2B
						16 & 12	8, 4 & 10	Mount	Mount		
8S	0.875	0.594	0.120	0.562	0.083	1.662	---	0.171	0.331	0.500	1/2-28 UNEF
10S	1.000	0.719	0.120	0.562	0.083	1.662	---	0.171	0.331	0.625	5/8-24 UNEF
10SL	1.000	0.719	0.120	0.562	0.083	1.662	---	0.171	0.331	0.625	5/8-24 UNEF
12S	1.094	0.812	0.120	0.562	0.083	1.662	---	0.171	0.331	0.750	3/4-20 UNEF
12	1.094	0.812	0.120	0.750	0.083	1.662	---	0.109	0.403	0.750	3/4-20 UNEF
14S	1.188	0.906	0.120	0.562	0.083	1.662	---	0.171	0.331	0.875	7/8-20 UNEF
14	1.188	0.906	0.120	0.750	0.083	1.662	---	0.109	0.403	0.875	7/8-20 UNEF
16S	1.281	0.969	0.120	0.562	0.083	1.662	---	0.171	0.331	1.000	1-20 UNEF
16	1.281	0.969	0.120	0.750	0.083	1.662	1.937	0.109	0.403	1.000	1-20 UNEF
18	1.375	1.062	0.120	0.750	0.125	1.662	1.937	0.109	0.413	1.062	1 1/8-18 UNEF
20	1.500	1.156	0.120	0.750	0.125	1.662	1.937	0.109	0.413	1.187	1 1/4-18 UNEF
22	1.625	1.250	0.120	0.750	0.125	1.662	1.937	0.109	0.413	1.312	1 3/8-18 UNEF
24	1.750	1.375	0.147	0.812	0.125	1.662	1.937	0.171	0.371	1.437	1 1/2-18 UNEF
28	2.000	1.562	0.147	0.812	0.125	1.662	1.937	0.171	0.194	1.750	1 3/4-18 UNS
32	2.250	1.750	0.173	0.875	0.125	1.662	1.937	0.234	0.131	2.000	2-18 UNS
36	2.500	1.938	0.173	0.875	0.125	1.662	1.937	0.234	0.131	2.250	2 1/4-16 UN
40	2.750	2.188	0.173	0.875	0.125	1.662	1.937	0.234	0.131	2.500	2 1/2-16 UN

TOLERANCE XX ± .010 .XXX ± .005 ANGLES ± 1°	TITLE CONNECTOR, ELECTRICAL, WALL MTG. RECEPTACLE, CRIMP CONTACTS, MIL-DTL-5015 SERIES III	SHEET 1 OF 1	DWG. NO. MS3452	REV -
		http://www.corsairelectricalconnectors.com (949) 833-0273		