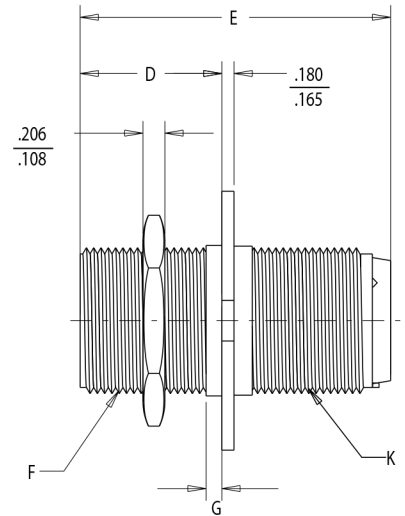
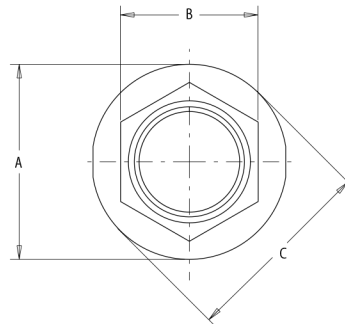


MS3454

MIL-DTL-5015 SERIES III



MS3454 RECEPTACLE, SINGLE HOLE MOUNT



Shell Size	A ± .005	B ± .017	C ± .005	D ± .005	E Max. Contact Size		F Coupling Thread Class 2A	G Max.	H Accessory Thread Class 2A
					16 & 12	8,4 & 0			
8S	1.187	0.687	1.272	0.720	2.031	---	1/2-28 UNEF	0.128	1/2-20 UNEF
10S	1.312	0.812	1.397	0.720	2.031	---	5/8-24 UNEF	0.128	5/8-24 UNEF
10SL	1.312	0.812	1.397	0.720	2.031	---	5/8-24 UNEF	0.128	5/8-24 UNEF
12S	1.437	0.937	1.522	0.720	2.031	---	3/4-20 UNEF	0.128	3/4-20 UNEF
12	1.437	0.937	1.522	0.970	2.125	---	3/4-20 UNEF	0.128	3/4-20 UNEF
14S	1.562	1.062	1.647	0.720	2.031	---	7/8-20 UNEF	0.128	7/8-20 UNEF
14	1.562	1.062	1.647	0.970	2.125	---	7/8-20 UNEF	0.128	7/8-20 UNEF
16S	1.687	1.188	1.772	0.720	2.031	---	1-20 UNEF	0.128	1-20 UNEF
16	1.687	1.188	1.772	0.970	2.125	2.500	1-20 UNEF	0.128	1-20 UNEF
18	1.812	1.312	1.897	0.970	2.125	2.500	1 1/8-18 UNEF	0.128	1 1/16-18 UNEF
20	1.937	1.438	2.022	0.970	2.125	2.500	1 1/4-18 UNEF	0.128	1 3/16-18 UNEF
22	2.156	1.562	2.341	0.970	2.125	2.500	1 3/8-18 UNEF	0.128	1 5/16-18 UNEF
24	2.281	1.688	2.366	0.970	2.125	2.500	1 1/2-18 UNEF	0.128	1 7/16-18 UNEF
28	2.531	2.000	2.616	0.970	2.125	2.500	1 3/4-18 UNS	0.128	1 3/4-18 UNS
32	2.781	2.250	2.866	0.970	2.125	2.500	2-18 UNS	0.128	2-18 UNS
36	3.031	2.500	3.116	0.970	2.125	2.500	2 1/4-16 UN	0.128	2 1/4-16 UN
40	3.281	2.750	3.366	0.970	2.125	2.500	2 1/2-16 UN	0.128	2 1/2 UN

TOLERANCE
 XX ± .010
 .XXX ± .005
 ANGLES ± 1°

TITLE
 CONNECTOR, ELECTRICAL, SINGLE HOLE MTG.
 RECEPTACLE, CRIMP CONTACTS, MIL-DTL-5015 SERIES III

SHEET
 1 OF 1

DWG. NO.
 MS3454

REV
 -

<http://www.corsairelectricalconnectors.com> (949) 833-0273