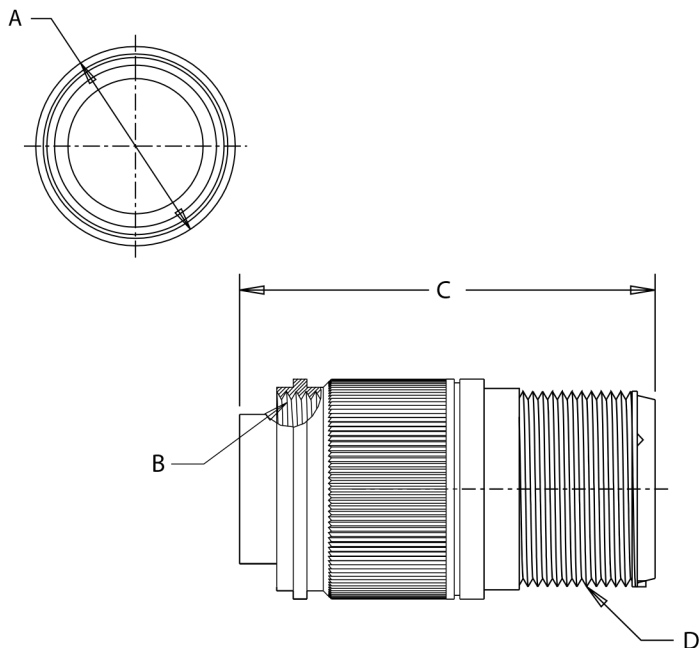


# MS3456

MIL-DTL-5015 SERIES III



## MS3456 PLUG, STANDARD



Shell Size	A Max.	B Coupling Thread Class 2B	C Max. Contact Size		D Accessory Thread Class 2A
			16 & 12	8, 4 & 0	
8S	0.844	1/2-28 UNEF	2.031	---	1/2-20 UNEF
10S	0.969	5/8-24 UNEF	2.031	---	5/8-24 UNEF
10SL	0.969	5/8-24 UNEF	2.031	---	5/8-24 UNEF
12S	1.062	3/4-20 UNEF	2.031	---	3/4-20 UNEF
12	1.062	3/4-20 UNEF	2.125	---	3/4-20 UNEF
14S	1.156	7/8-20 UNEF	2.031	---	7/8-20 UNEF
14	1.156	7/8-20 UNEF	2.125	---	7/8-20 UNEF
16S	1.250	1-20 UNEF	2.031	---	1-20 UNEF
16	1.250	1-20 UNEF	2.125	2.500	1-20 UNEF
18	1.344	1 1/8-18 UNEF	2.125	2.500	1 1/16-18 UNEF
20	1.469	1 1/4-18 UNEF	2.125	2.500	1 3/16-18 UNEF
22	1.594	1 3/8-18 UNEF	2.125	2.500	1 5/16-18 UNEF
24	1.719	1 1/2-18 UNEF	2.125	2.500	1 7/16-18 UNEF
28	1.969	1 3/4-18 UNS	2.125	2.500	1 3/4-18 UNS
32	2.219	2-18 UNS	2.125	2.500	2-18 UNS
36	2.469	2 1/4-16 UN	2.125	2.500	2 1/4-16 UN
40	2.719	2 1/2-16 UN	2.125	2.500	2 1/2-16 UN

TOLERANCE  
XX ± .010  
.XXX ± .005  
ANGLES ± 1°

TITLE  
CONNECTOR, ELECTRICAL, PLUG  
STANDARD ,CRIMP CONTACTS, MIL-DTL-5015 SERIES III

SHEET  
1 OF 1

DWG. NO.  
MS3456

REV  
-

<http://www.corsairelectricalconnectors.com> (949) 833-0273