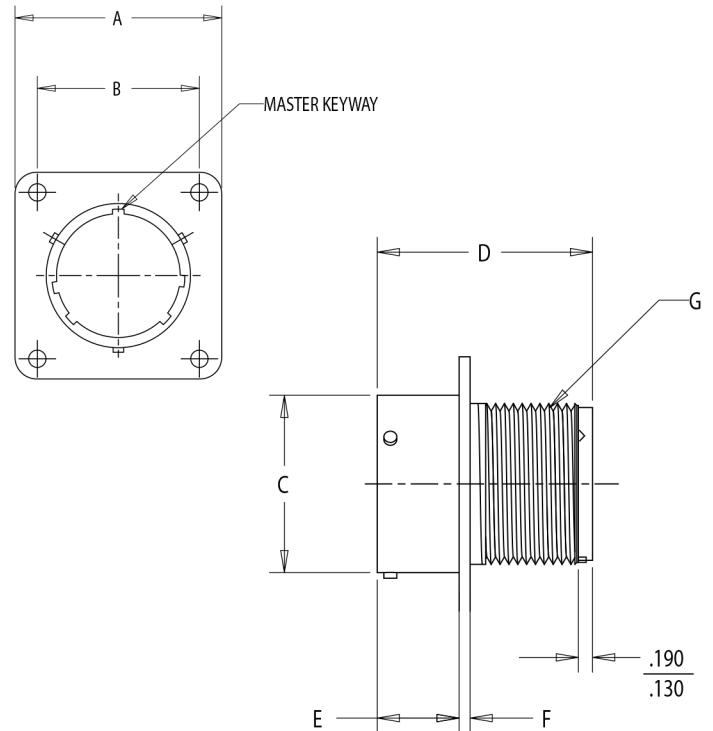


# MS3472

MIL-DTL-26482 SERIES 2



## MS3472 WIDE FLANGE RECEPTACLE



| Shell Size | A<br>Max. | B<br>± .005 | C<br>- .006 | D<br>Max. | E<br>- .031 | F<br>± .016 | G<br>Accessory<br>Thread |
|------------|-----------|-------------|-------------|-----------|-------------|-------------|--------------------------|
| 8          | 1.065     | 0.734       | 0.474       | 1.215     | 0.493       | 0.062       | 1/2-20 UNF 2A            |
| 10         | 1.141     | 0.812       | 0.591       | 1.215     | 0.493       | 0.062       | 5/8-24 UNEF 2A           |
| 12         | 1.266     | 0.938       | 0.751       | 1.215     | 0.493       | 0.062       | 3/4-20 UNEF 2A           |
| 14         | 1.360     | 1.031       | 0.876       | 1.215     | 0.493       | 0.062       | 7/8-20 UNEF 2A           |
| 16         | 1.453     | 1.125       | 1.001       | 1.215     | 0.493       | 0.062       | 1-20 UNEF 2A             |
| 18         | 1.532     | 1.203       | 1.126       | 1.215     | 0.493       | 0.062       | 1 1/16-16 UNEF 2A        |
| 20         | 1.688     | 1.297       | 1.251       | 1.275     | 0.587       | 0.094       | 1 3/16-16 UNEF 2A        |
| 22         | 1.766     | 1.375       | 1.376       | 1.275     | 0.587       | 0.094       | 1 5/16-16 UNEF 2A        |
| 24         | 1.891     | 1.500       | 1.501       | 1.275     | 0.620       | 0.094       | 1 7/16-18 UNEF 2A        |

TOLERANCE  
 XX ± .010  
 .XXX ± .005  
 ANGLES ± 1°

TITLE  
 CONNECTOR, ELECTRICAL, WIDE WALL MTG.  
 RECEPTACLE , CRIMP CONTACTS, MIL-DTL-26482 SERIES 2

SHEET  
 1 OF 1

DWG. NO.  
 MS3472

REV  
 -