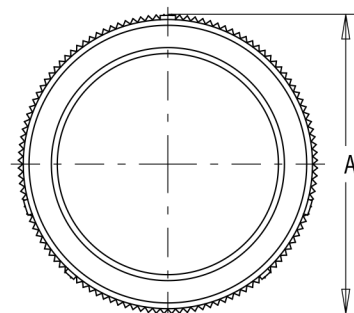


MS3475/MS3476

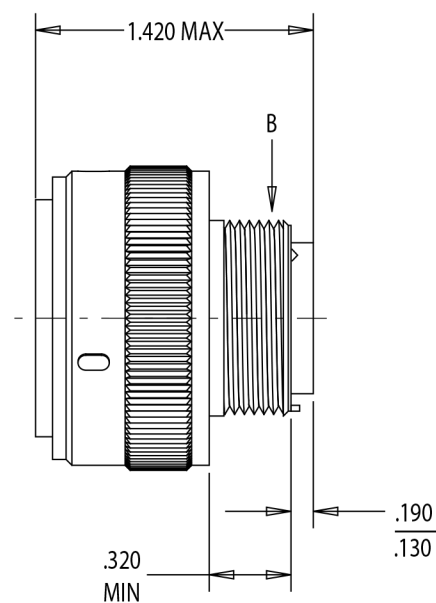
MIL-DTL-26482 SERIES 2



MS3475 PLUG, RFI GROUNDING MS3476 PLUG, STANDARD



Shell Size	A Max.	B Accessory Thread
8	0.782	1/2-20 UNEF-2A
10	0.926	5/8-24 UNEF-2A
12	1.043	3/4-20 UNEF-2A
14	1.183	7/8-20 UNEF-2A
16	1.305	1-20 UNEF-2A
18	1.391	1 1/16-18 UNEF-2A
20	1.531	1 3/16-18 UNEF-2A
22	1.656	1 5/16-18 UNEF-2A
24	1.777	1 7/16-18 UNEF-2A



TOLERANCE
XX ± .010
.XXX ± .005
ANGLES ± 1°

TITLE
CONNECTOR, ELECTRICAL, RFI PLUG & STD. PLUG
RECEPTACLE, CRIMP CONTACTS, MIL-DTL-26482 SERIES 2

SHEET
1 OF 1

DWG. NO.
MS3475/MS3476

REV
-